

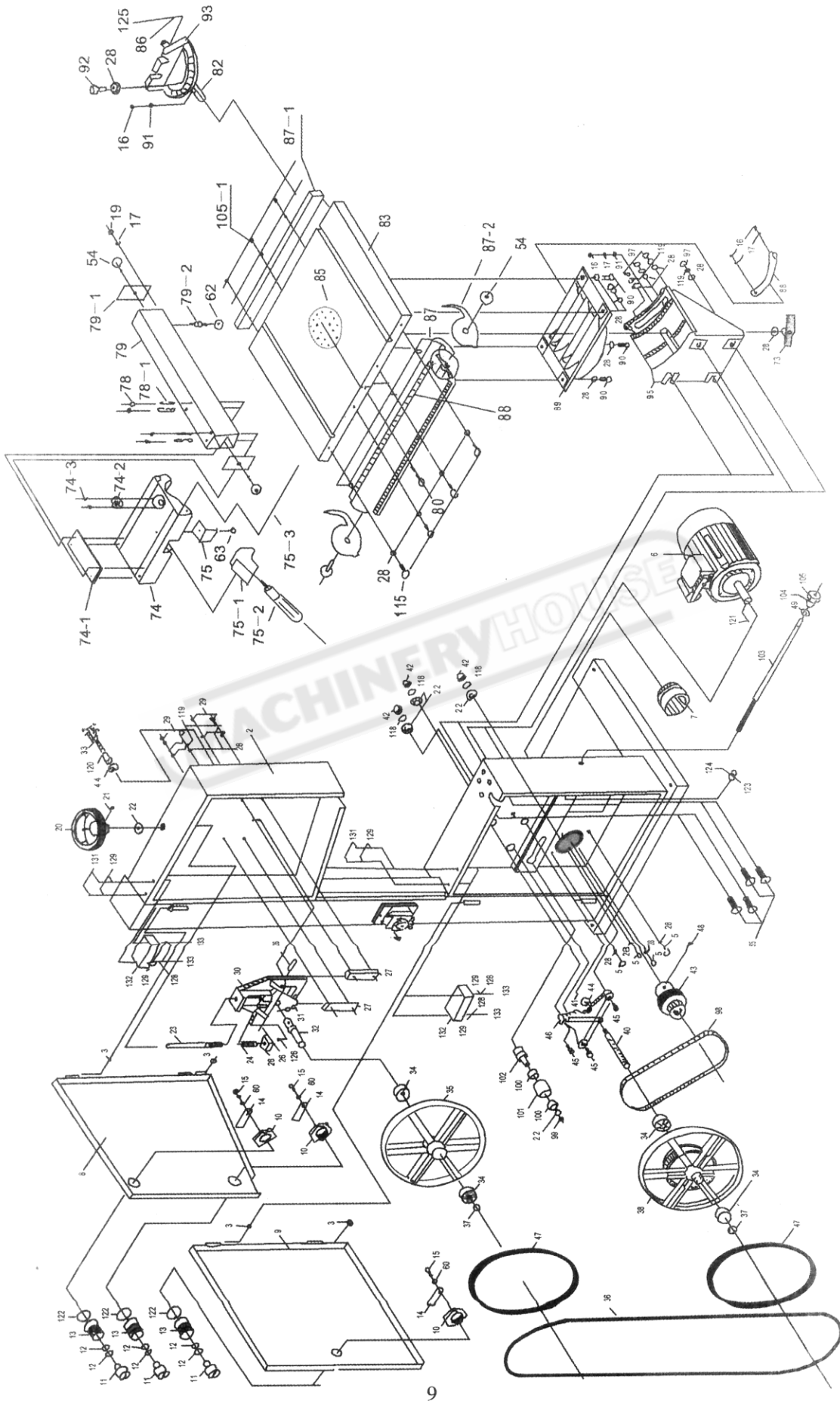
## PARTS LIST

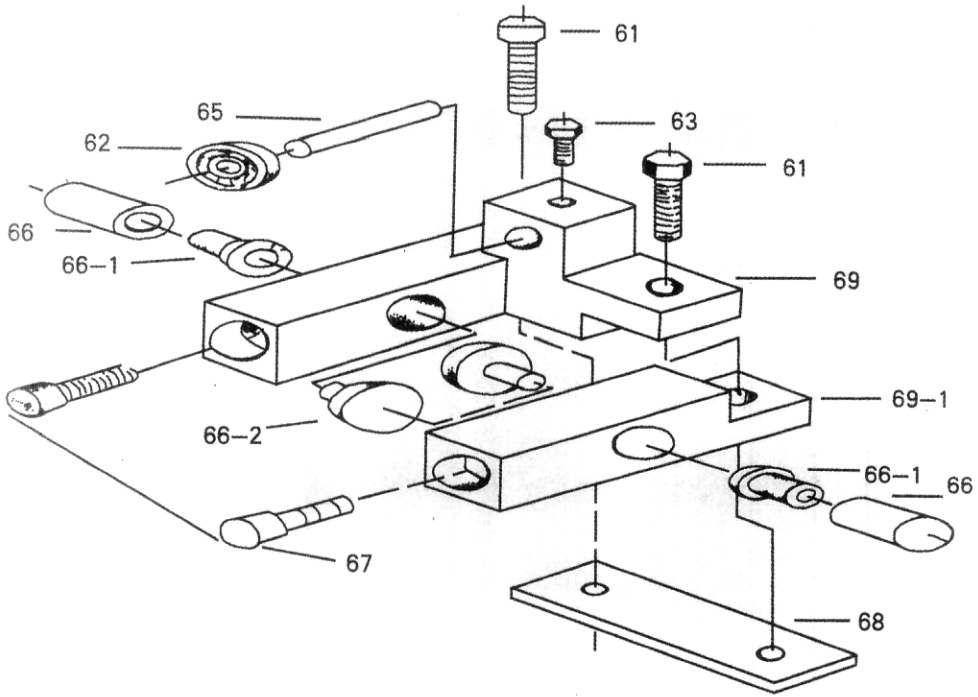
NO.	Description	QTY	NO.	Description	QTY
2	Saw body	1	41	Hex nut M16	1
4	Switch	1	42	Hex nut M12	3
5	Hex bolt M8x25	4	43	Motor pulley	1
6	Motor	1	44	Flat washer 16	3
7	Suction connector (plastic)	1	45	Adjusting bush (lower wheel)	3
8	Upper door	1	46	Lower shaft bracket	1
9	Lower door	1	47	Rubber bush	2
10	Plastic nut M24x1.5	4	48	Set screw M6x16	1
11	Door axle	4	49	Flat washer 10	1
12	Washer 10	8	50	Hex bolt M8x16	3
13	Axle bush	4	51	Rack bar support (upper)	1
14	Closing door plate	4	52	Rack bar	1
15	Hex bolt M6x8	4	54	Screw ST2.9x9.5	4
17	Flat washer 5	5	55	Double-end bolt	4
18	Hand wheel for upper blade guide moving	1	58	Rack bar support (lower)	1
19	Hex nut M5	3	60	Flat washer 6	12
20	Hand wheel for tightening blade	1	61	Screw M6x35	2
20-1	Gear	1	62	Bearing 80027	2
20-2	Flat washer	1	63	Screw M4x6	3
21	Set screw 8x12	3	65	Eccentric bar	1
22	Flat washer 12	1	66	Shaft (lower blade guide)	2
23	Threaded bar	1	66-1	Bush	2
24	Spring	1	66-2	Lower blade guide	2
25	Square nut	1	67	Screw M6x12	5
26	Adjusting shaft (upper wheel)	2	68	Lower blade guide fix plate	1
27	Guide plate	2	69	Lower blade guide base (1)	1
28	Flat washer 8	12	69-1	Lower blade guide base (2)	1
29	Hex bolt M8x25	6	73	Butterfly nut (plastic)	1
30	Upper bracket frame	1	74	Sliding base	1
31	Shaft bracket (upper wheel)	1	74-1	Connecting plate	1
32	Shaft (upper wheel)	1	74-2	Pointer with magnifier	1
33	Flower handle screw M8x25	1	74-3	Screw	2
34	Bearing 80104	4	75	Spring sheet	1
35	Upper wheel	1	75-1	Locking eccentric block	1
36	Saw blade 2950	1	75-2	Locking handle	1
37	Hex nut M16	2	75-3	Pivot for locking	1
38	Lower wheel	1	78	Screw M6x65	4
40	Shaft (lower wheel)	1	78-1	Push	4
			79	Fence extrusion aluminium	1

## PARTS LIST

NO.	Description	QTY	NO.	Description	QTY
79-1	Bung	2	113	Socket for side guide wheel	2
79-2	Small shaft for bearing	1	113-1	Nut	2
80	Pin	1	115	Hex bolt M6x16	4
82	Guide plate for mitre gauge	1	115-1	Hex socket head screw M6x12	4
83	Table	1	117	Saw blade protection cover	1
84	Screw M6x8	3	119	Flat washer 8	8
85	Blade mouth (plastic)	1	120	Nut M8	11
87	Slide guide plate	1	121	Pin 6x20	1
87-1	Support plate	1	122	Plastic washer	4
87-2	Slide guide end plate	2	123	Bush	1
88	Scale for slide guide plate	1	124	Set screw M5x6	1
89	Table support	1	125	Screw M5x6	1
90	Screw M8x20	4	126	Screw M6x12	1
91	Pointer for mitre gauge	1	128	Lock washer 4	4
92	Handle for mitre gauge	1	129	Flat washer 4	8
93	Scale for mitre gauge	1	131	Screw M4x35	4
95	Swivel mounting base	1	132	Safety switch	2
97	Nut M12	3	133	Nut M4	4
98	Belt 1727	1			
99	C-ring 12	1			
100	Bearing 80101	2			
101	Jockey wheel	1			
102	Jockey wheel axle	1			
103	Jockey wheel pole	1			
104	Set screw M6x12	1			
105	Handle	1			
106	Screw M6x16	5			
108	Locking nut	1			
108-1	Butterfly nut	1			
109	Bearing parts for spacing	1			
109-1	Blade guide wheel sleeve	1			
109-2	Bearing 80016	1			
109-3	C-ring	1			
109-4	Shaft for bearing	1			
110	Screw M8x12	2			
111	Adjusting bar	2			
111-2	Guide wheel	2			
112	Side blade guide bracket	1			

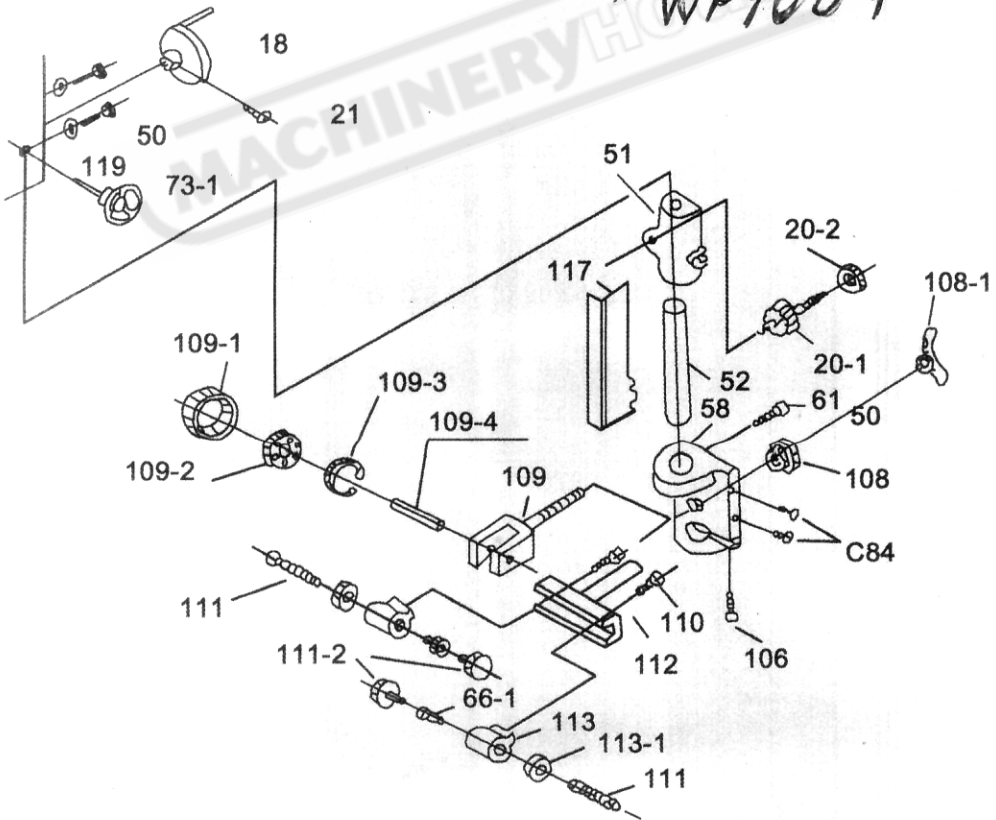
**EXPLODED VIEW**





Lower saw blade guide

# WP900+



Upper saw blade guide

NEW UPPER GUIDE FITTED TO MODELS SOLD AFTER APROX JANUARY 2006